

PRODUCT CODE: CF2G-T
TWISTED CRAMPET



DESCRIPTION

25mm Twisted Crampet

FINISH

BZP

MATERIAL

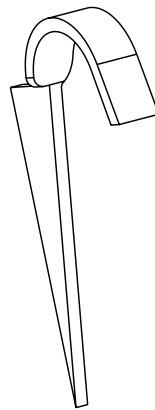
Pressed Steel

PACKAGING

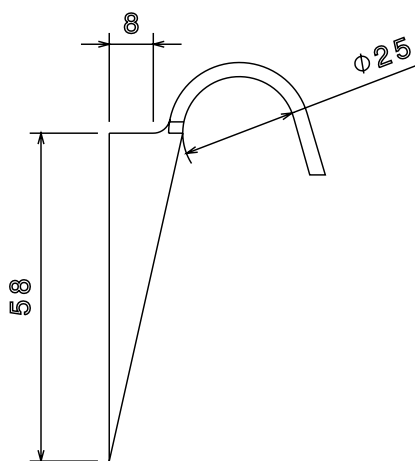
Packed in qty 100

ADDITIONAL NOTES

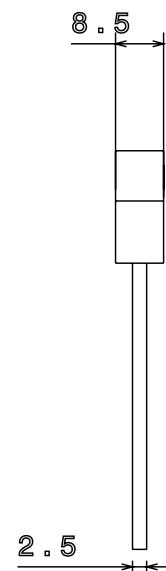
Conforms to BS EN61386-1
Compliant to LU Standard 1-085 (for use on surface & sub-surface locations)



Isometric view



Side view



Front view